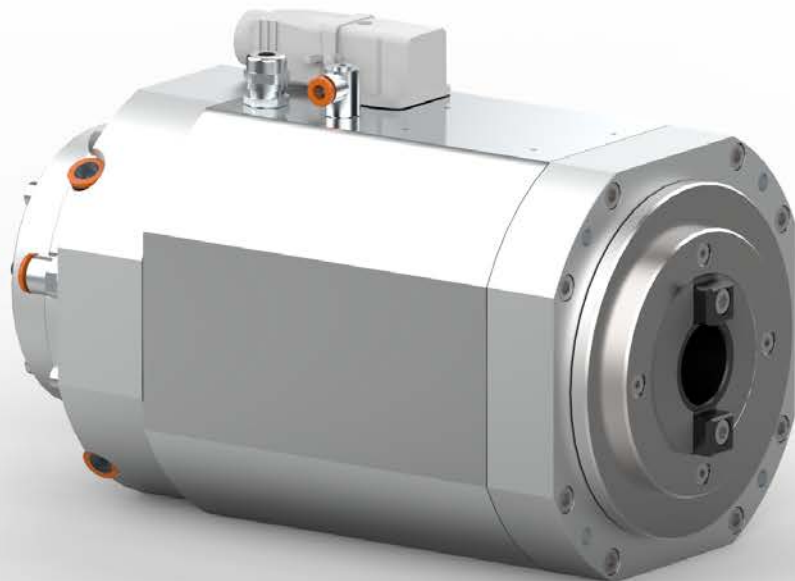


ELETTROMANDRINI AD ALTA VELOCITA' / HIGH SPEED ELECTRO-SPINDLES



Cono ISO 30 DIN 69873
ISO 30 DIN 69873 toolholder



Classe di protezione IP55
IP55 degree of protection



Raffreddamento aria compressa
Compressed air cooling



Giunto H₂O integrato "Ghost"
Integrated H₂O joint "Ghost"



Sensore di rilevamento acqua
Water leaking sensor



SBE COMBI COMPATIBILE
SBE COMBI COMPATIBLE

IMPROVE YOUR F.O.R.C.E.



FLESSIBILITA'
FLEXIBILITY



OTTIMIZZAZIONE
OPTIMIZATION



RAPIDITA'
RAPIDITY



COMBINAZIONE
COMBINATION



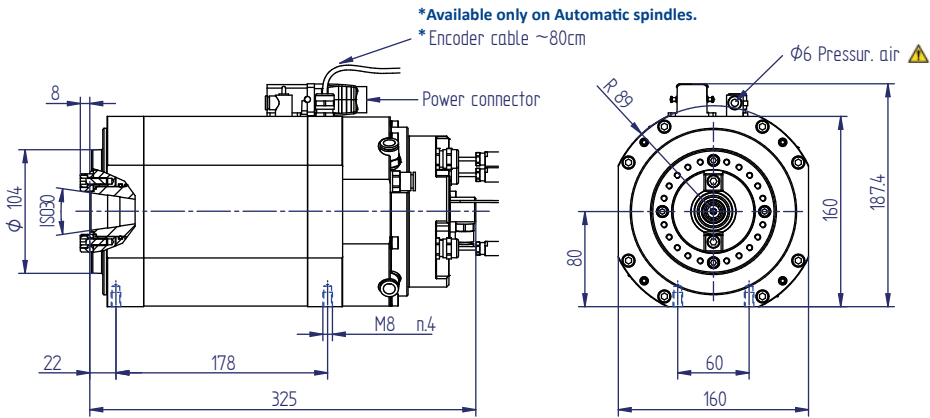
EFFICIENZA
EFFICIENCY

SE.A

www.saccardo.it

MADE IN ITALY





Use only filtered dry air.
1-1,5 bar - 150 NI/min

SENSORI CAMBIO UTENSILE / TOOL CHANGE SENSORS

S1= Utensile agganciato S1= Locked toolholder	S2= Utensile espulso S2= Ejected toolholder	S6= No utensile S6= No toolholder
---	---	---

4 POLES / 400V

Size	Duty	kW	Nm	rpm	A	Hz	Kg
A4	S1	1,0	5,5	1720	3,3	60	22
	S6-60%	1,2	6,7	1700	3,5		
B4	S1	1,7	5,6	2900	4,4	100	
	S6-60%	2,0	6,6	2880	4,8		
C4	S1	3,1	5,1	5840	6,6	200	
	S6-60%	3,6	5,9	5810	7,5		
D4	S1	4,5	4,9	8780	9,0	300	
	S6-60%	5,2	5,7	8740	10,3		

Max vel. 12000 rpm (400Hz) / Max speed 12.000 rpm (400 Hz)



SE.AA: Automatic tool change by TTL encoder
SE.AR: Rapid tool change without encoder



Other powers or polarity on request

optional

HSK or MAS BT
toolholder



The product features described in the present catalogue are approximated. Saccardo GCF S.r.l.u. reserves the right to make any modification to the components whenever deemed necessary, without prior notice, in order to enhance the product quality, based on the technical knowledge acquired and the current state of the art.

